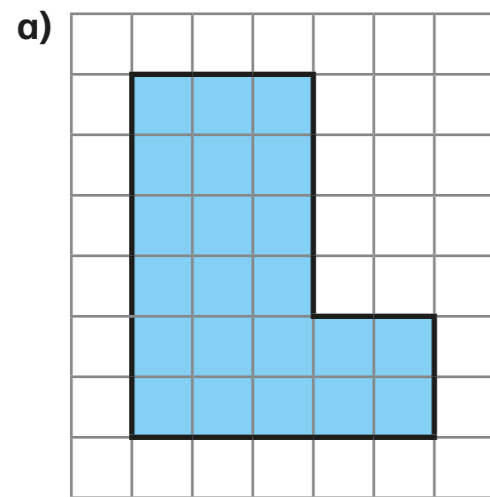
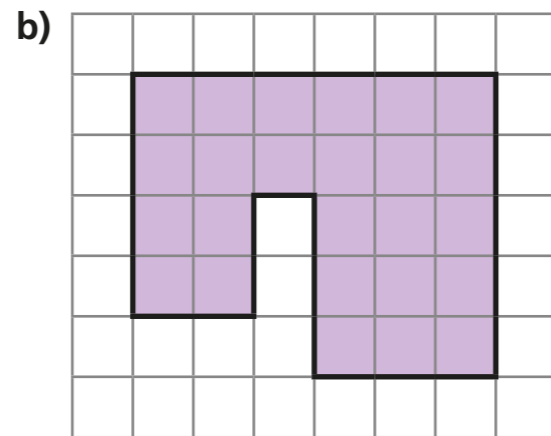


# Perimeter of rectilinear shapes

1 The length of each square on the grid is 1 cm.  
Work out the perimeter of the shapes.

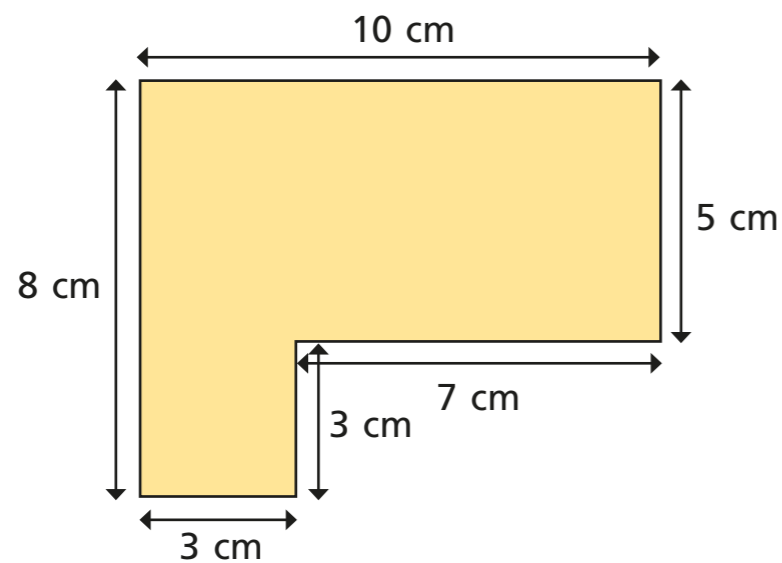


22 cm



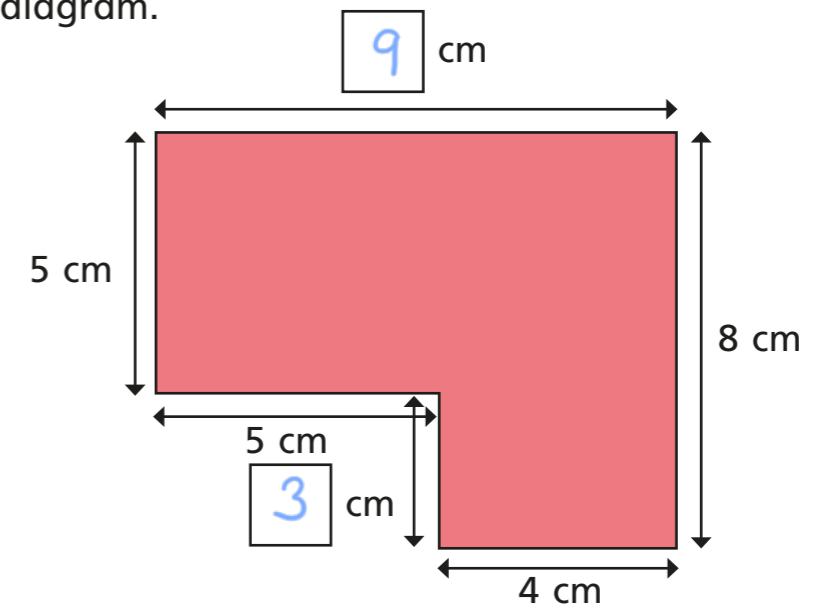
26 cm

2 Work out the perimeter of the shape.



36 cm

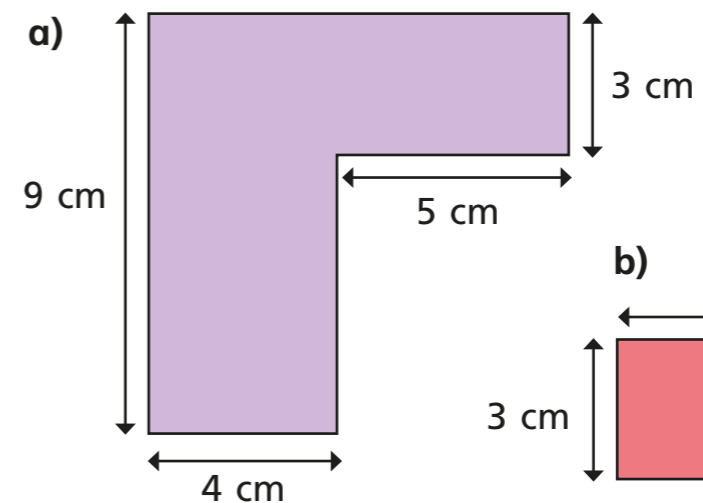
3 a) Work out the missing lengths and label them on the diagram.



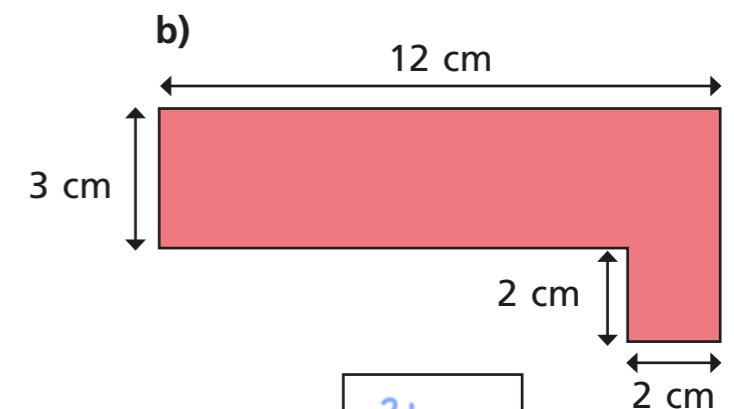
b) What is the perimeter of the shape?

34 cm

4 Work out the perimeter of each shape.

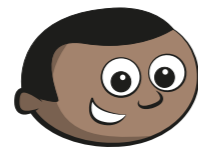
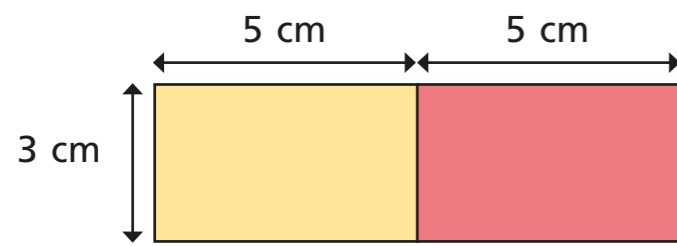


36 cm



34 cm

- 5 Mo puts two 5 cm by 3 cm rectangles next to each other.



The perimeter of each small rectangle is 16 cm, so the perimeter of my larger rectangle must be  $2 \times 16 \text{ cm} = 32 \text{ cm}$ .

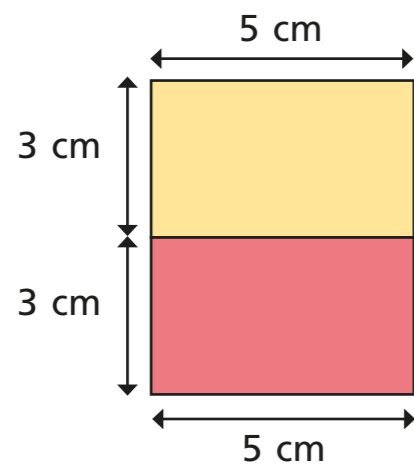
- a) Is Mo correct? No

Work out the perimeter of the larger rectangle to check your answer.

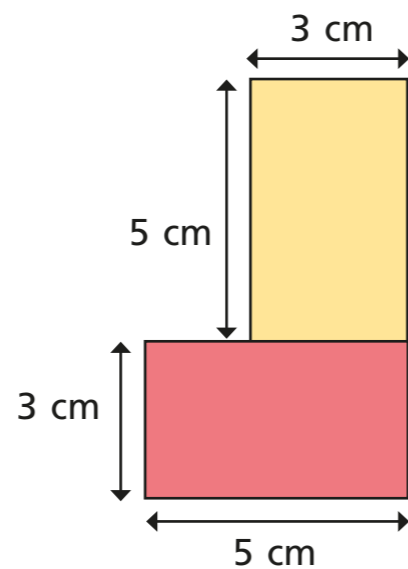
26 cm

- b) Mo puts the rectangles together in different ways.

Work out the perimeter of each large shape.

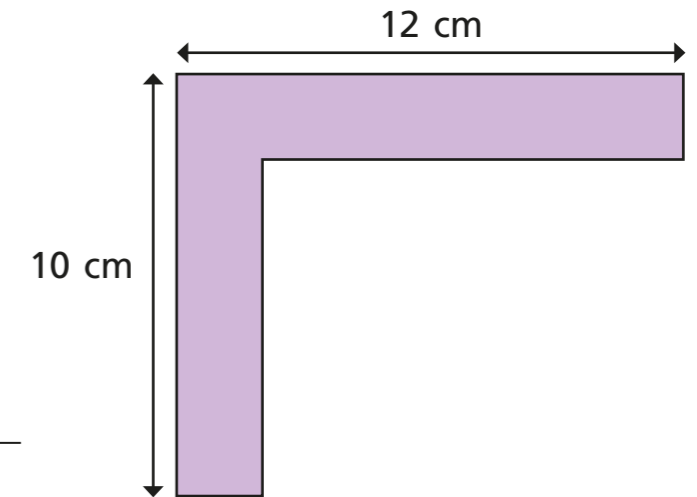


22 cm



26 cm

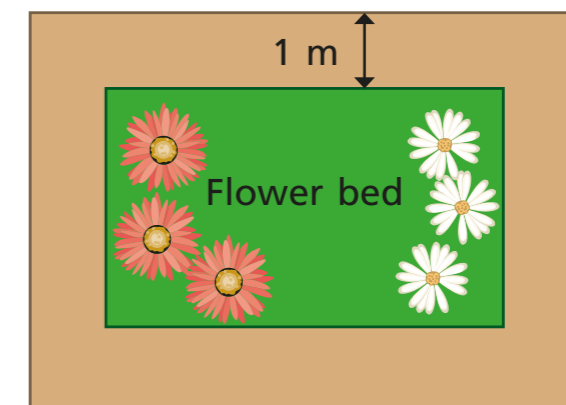
- 6 Dani thinks there isn't enough information to work out the perimeter of the shape.



Is Dani correct? No

Explain your answer.

- 7 A rectangular flower bed is 5 m long and 3 m wide. The path around the flower bed is 1 m wide.



- a) What is the perimeter of the flower bed?

16 cm

- b) What is the perimeter of the outside of the path?

24 cm

